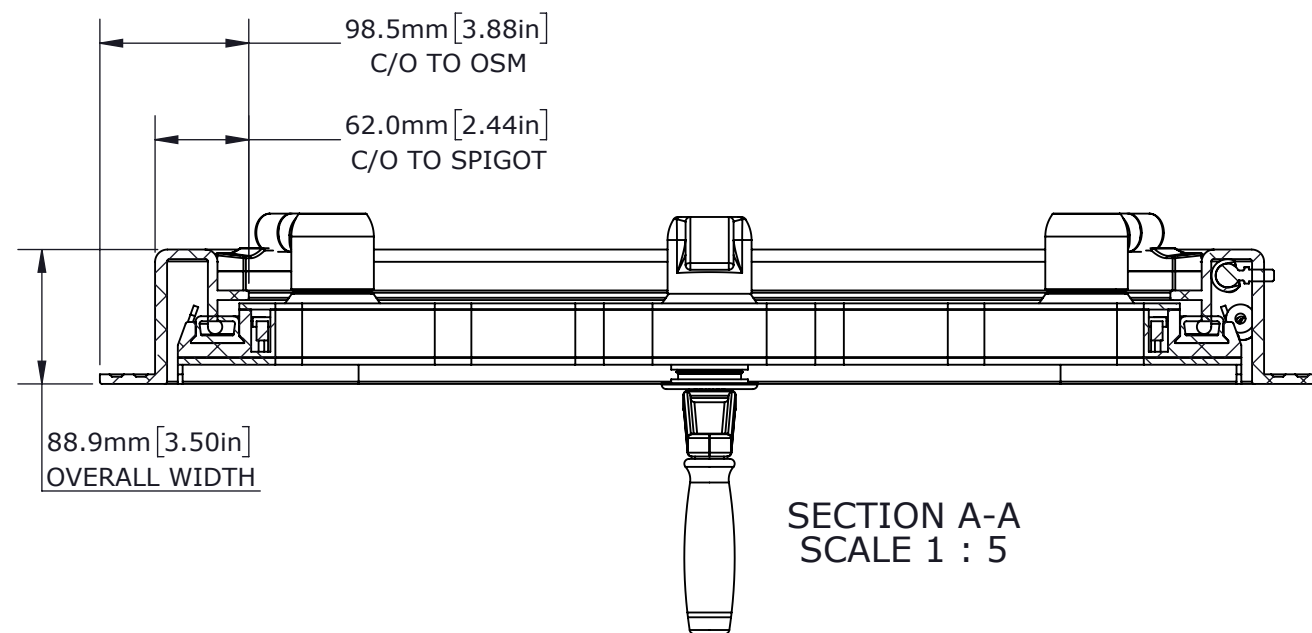
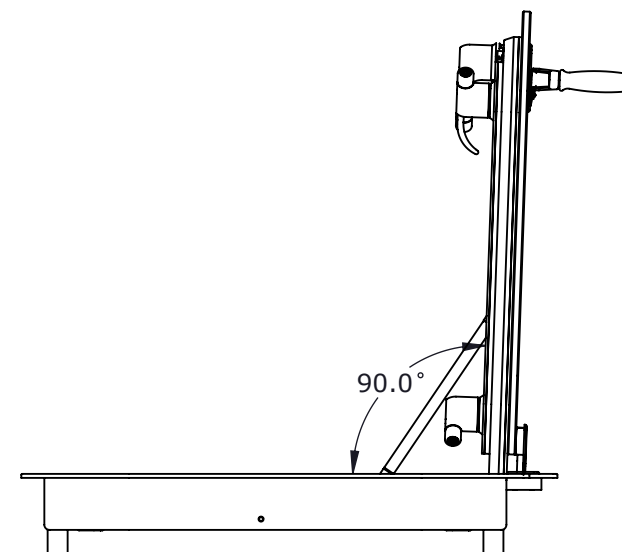


**ISOMETRIC VIEW**  
SCALE 1 : 12

**INTERIOR VIEW**  
 OVERALL = SPIGOT OPENING + 73.2mm[2.88in]  
 CLEAR OPENING = SPIGOT OPENING - 124.0mm[4.88in]  
 PLATE CUT = SPIGOT OPENING + 6.35mm[0.25in]



**SECTION A-A**  
SCALE 1 : 5



**SIDE VIEW**

**OPTIONS**

<b>HANDLE STYLE</b>	REMOVABLE WINCH HANDLE	
	BI-SQUARE	
<b>FRAME STYLE</b>	BOLT IN	
	WELD IN	
<b>*CORNER TYPE</b>	MITRED	
	ROUND	

**CUSTOMER**

ADVANTEC

**PROJECT**

3450 PCM SALES DRAWING

**DESCRIPTION**

STANDARD 3450 PCM SERIES  
MODEL AND DRAWING

CONTACT (604) 607-0091 DATE 10/6/2020



**PACIFIC COAST MARINE**

DWG TITLE 3450 SERIES HATCH CAGE CODE

DESCRIPTION Premium Duty, Lens Hatch, Quick-Acting QTY

COPYRIGHT 2020 ADVANTEC GLOBAL INNOVATIONS. ALL RIGHTS RESERVED. CONFIDENTIAL PROPERTY OF ADVANTEC GLOBAL INNOVATIONS. UNAUTHORIZED USE, REPRODUCTION OR DISTRIBUTION IS STRICTLY PROHIBITED. COPIES REMAIN THE PROPERTY OF ADVANTEC GLOBAL INNOVATIONS AND MUST BE RETURNED UPON REQUEST.

SCALE 1:12	DRAWN SP	DATE 10/6/2020	CHECKED	DATE	SIZE B
S.O. NO	DWG NO 3450-1 PCM Sales	SHEET 1 of 1	REV	00	