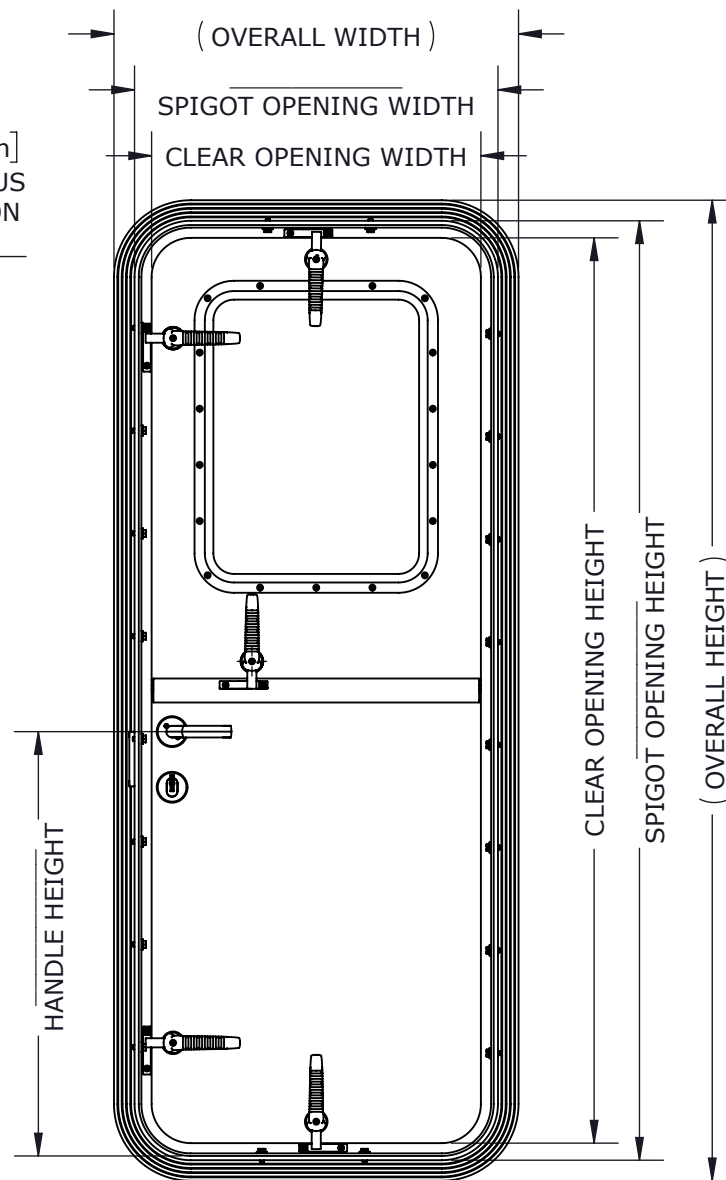
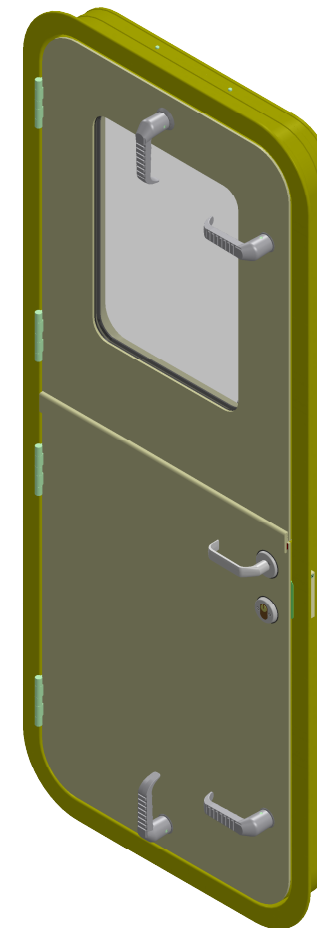


EXTERIOR VIEW

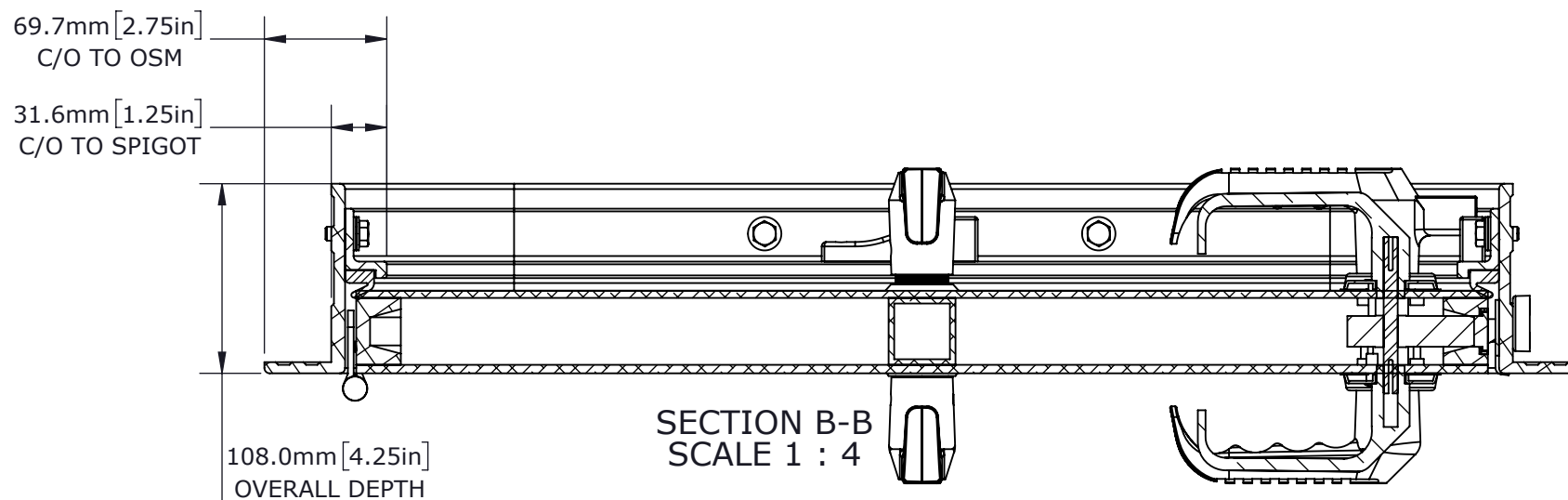


INTERIOR VIEW

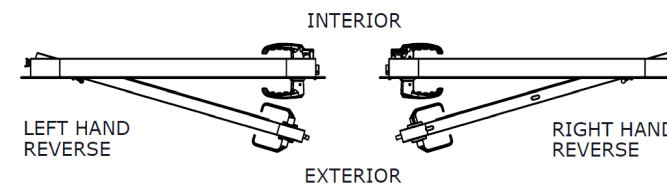
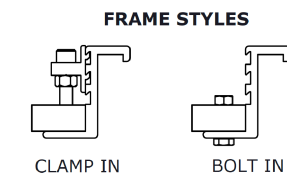
OVERALL = SPIGOT OPENING + 76.2mm[3.00in]
 CLEAR OPENING = SPIGOT OPENING - 63.2mm[2.49 in]
 PLATE CUT = SPIGOT OPENING + 6.35mm[0.25 in]



ISOMETRIC VIEW
SCALE 1 : 14



SECTION B-B
SCALE 1 : 4



OPTIONS

HANDING	RIGHT HANDED	
	LEFT HANDED	
LOCK	LOCKING	
	NOT LOCKING	
LOCK MECHANISM	LOCKSET/HANDLE	
	LOCKSET/DEADBOLT	
	PASSAGE SET/HANDLE	
DOG STYLE	ALUMINIUM	
	CONCEALED	
	NYLON	
	STAINLESS STEEL	
WINDOW STYLE	FULL HEIGHT	
	HALF HEIGHT	
	CIRCULAR	
	NO PORTLIGHT	
FRAME STYLE	BOLT IN	
	CLAMP IN	
*CORNER TYPE	MITRED	
	ROUND	

CUSTOMER

ADVANTEC

PROJECT

1520 FREEMAN SALES DRAWING

DESCRIPTION

STANDARD 1520 FREEMAN SERIES MODEL AND DRAWING

CONTACT (604) 607-0091 DATE 10/7/2020



DWG TITLE 1520 SERIES DOOR CAGE CODE

DESCRIPTION Heavy Duty, Dutch Leaf, Clamp-In Window QTY

COPYRIGHT 2020 ADVANTEC GLOBAL INNOVATIONS. ALL RIGHTS RESERVED. CONFIDENTIAL PROPERTY OF ADVANTEC GLOBAL INNOVATIONS. UNAUTHORIZED USE, REPRODUCTION OR DISTRIBUTION IS STRICTLY PROHIBITED. COPIES REMAIN THE PROPERTY OF ADVANTEC GLOBAL INNOVATIONS AND MUST BE RETURNED UPON REQUEST.

SCALE 1:14	DRAWN SP	DATE 10/7/2020	CHECKED	DATE	SIZE B
S.O. NO	DWG NO 1520-1 FME Sales	SHEET 1 of 1	REV 00		