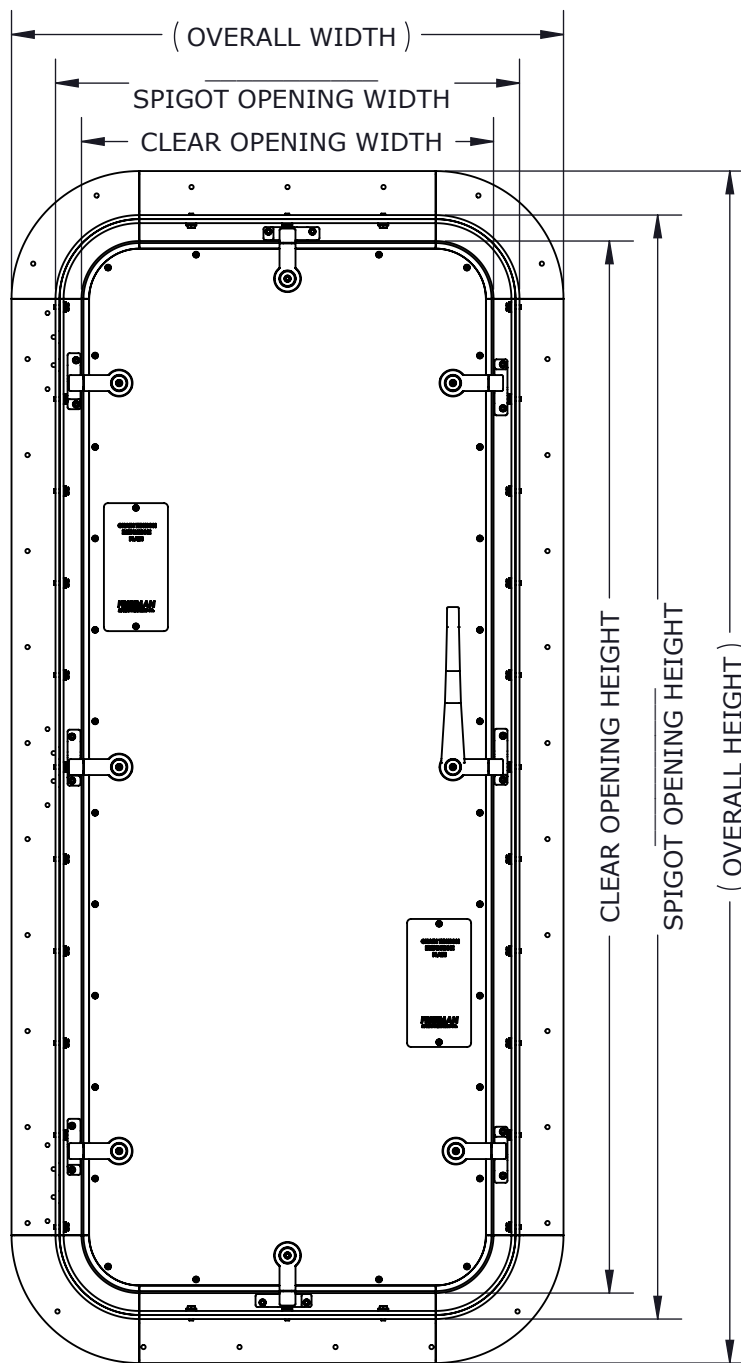
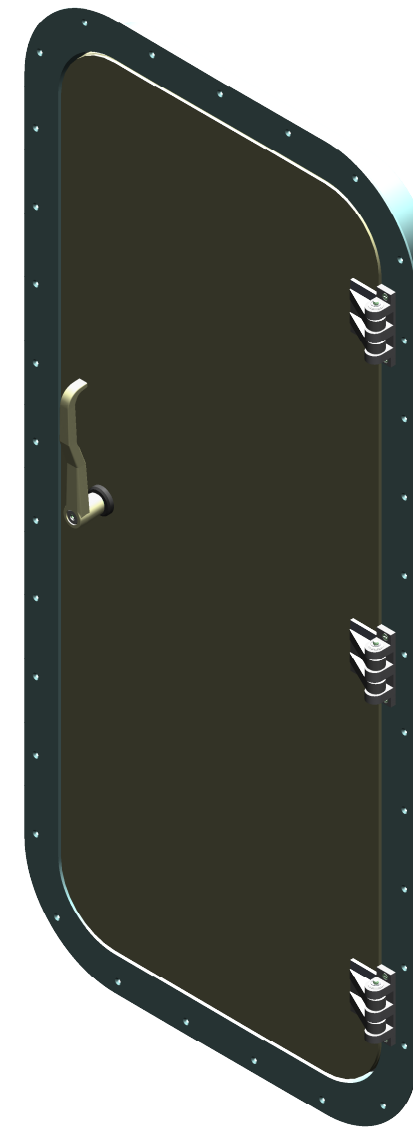


**EXTERIOR VIEW**

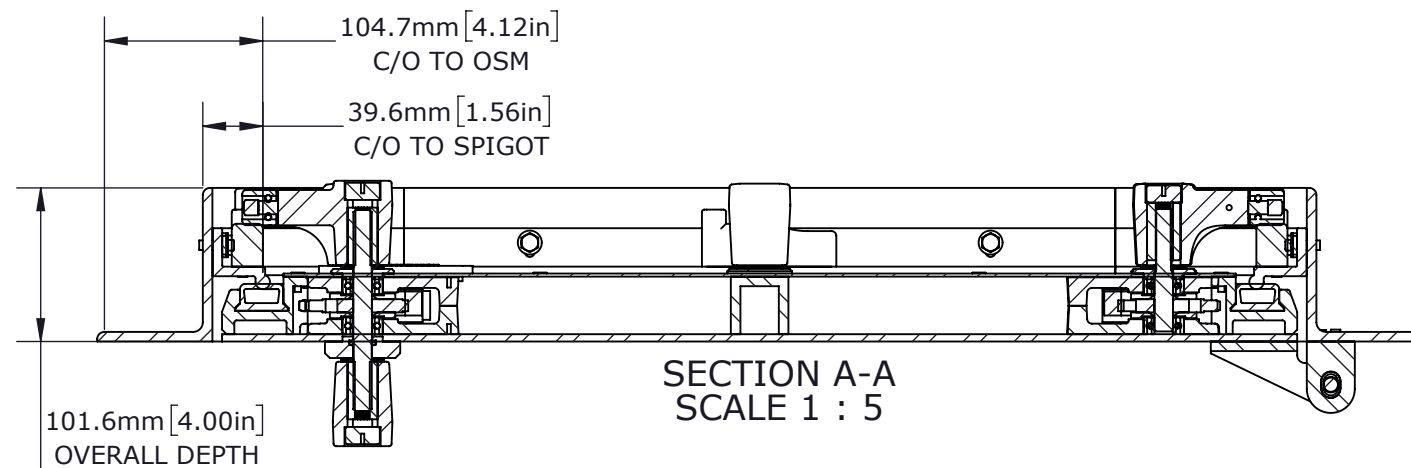


**INTERIOR VIEW**

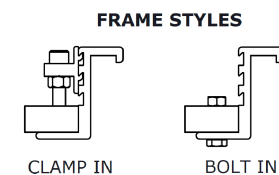
OVERALL = SPIGOT OPENING + 139.7mm[5.50in]  
 CLEAR OPENING = SPIGOT OPENING - 82.6mm[3.25in]  
 PLATE CUT = SPIGOT OPENING + 6.35mm[0.25in]



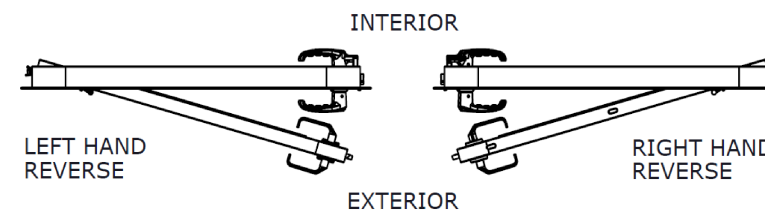
**ISOMETRIC VIEW**  
SCALE 1 : 12



**SECTION A-A**  
SCALE 1 : 5



**FRAME STYLES**



**OPTIONS**

<b>HANDING</b>	RIGHT HANDED	
	LEFT HANDED	
<b>LOCK</b>	LOCKING	
	NOT LOCKING	
<b>HANDLE</b>	LEVER	
	HAND WHEEL	
	RECESSED OUTER WHEEL	
	REMOVABLE WINCH HANDLE	
	BI-SQUARE	
<b>DOG STYLE</b>	ALUMINIUM	
	CONCEALED	
	NYLON	
<b>WINDOW STYLE</b>	STAINLESS STEEL	
	FULL HEIGHT	
	HALF HEIGHT	
	CIRCULAR	
<b>FRAME STYLE</b>	NO PORTLIGHT	
	BOLT IN	
<b>*CORNER TYPE</b>	CLAMP IN	
	MITRED	
	ROUND	

**CUSTOMER**

ADVANTEC

**PROJECT**

1440 FREEMAN SALES DRAWING

**DESCRIPTION**

STANDARD 1440 FREEMAN SERIES MODEL AND DRAWING

CONTACT (604) 607-0091 DATE 10/7/2020



DWG TITLE 1440 SERIES DOOR CAGE CODE

DESCRIPTION Heavy Duty, Single Leaf, Commercial Aluminum Panel, Quick-Acting Dogging QTY

COPYRIGHT 2020 ADVANTEC GLOBAL INNOVATIONS. ALL RIGHTS RESERVED. CONFIDENTIAL PROPERTY OF ADVANTEC GLOBAL INNOVATIONS. UNAUTHORIZED USE, REPRODUCTION OR DISTRIBUTION IS STRICTLY PROHIBITED. COPIES REMAIN THE PROPERTY OF ADVANTEC GLOBAL INNOVATIONS AND MUST BE RETURNED UPON REQUEST.

SCALE 1:12	DRAWN SP	DATE 10/7/2020	CHECKED	DATE	SIZE B
S.O. NO.	DWG NO. 1440-1 FME Sales	SHEET 1 of 1	REV	00	