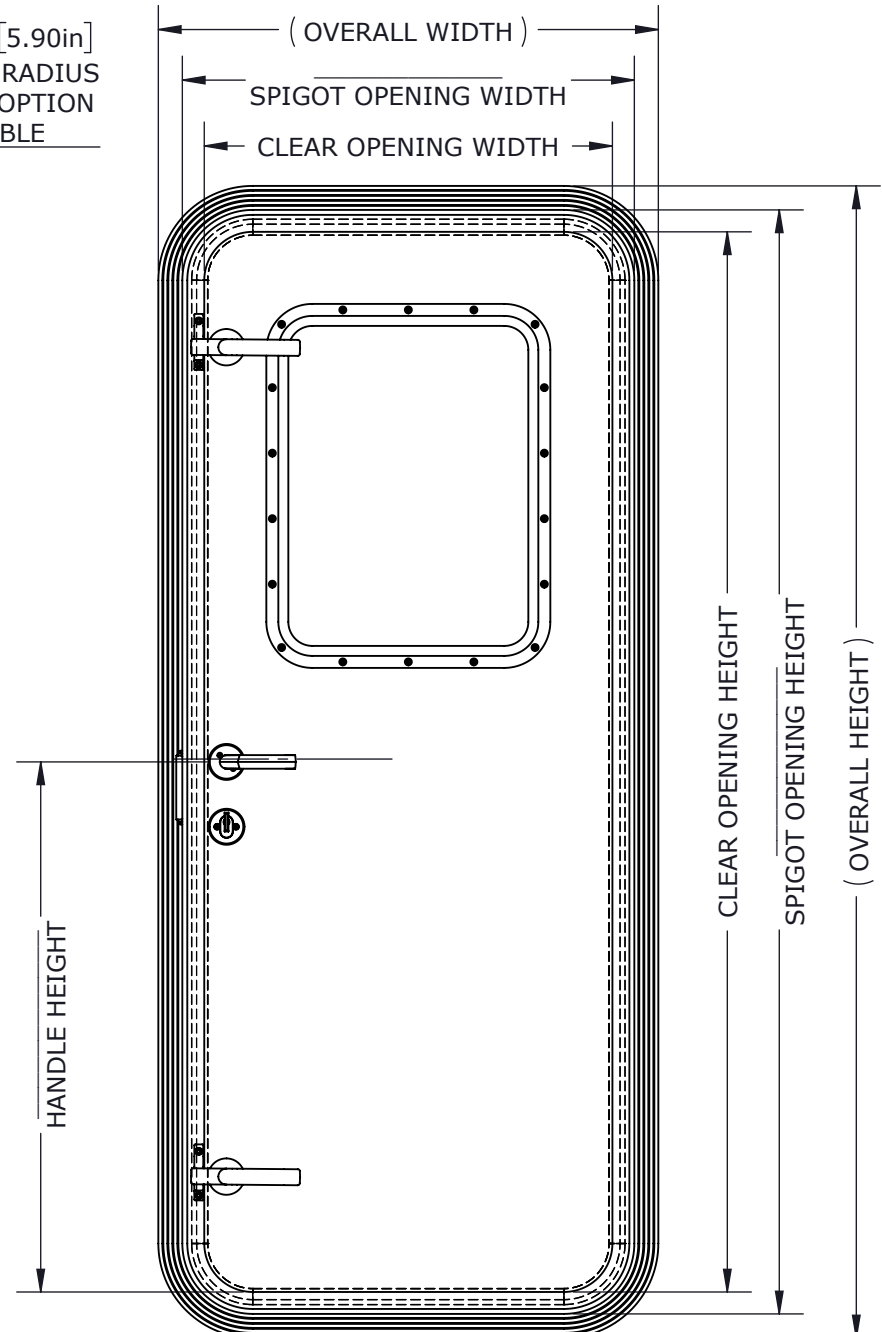
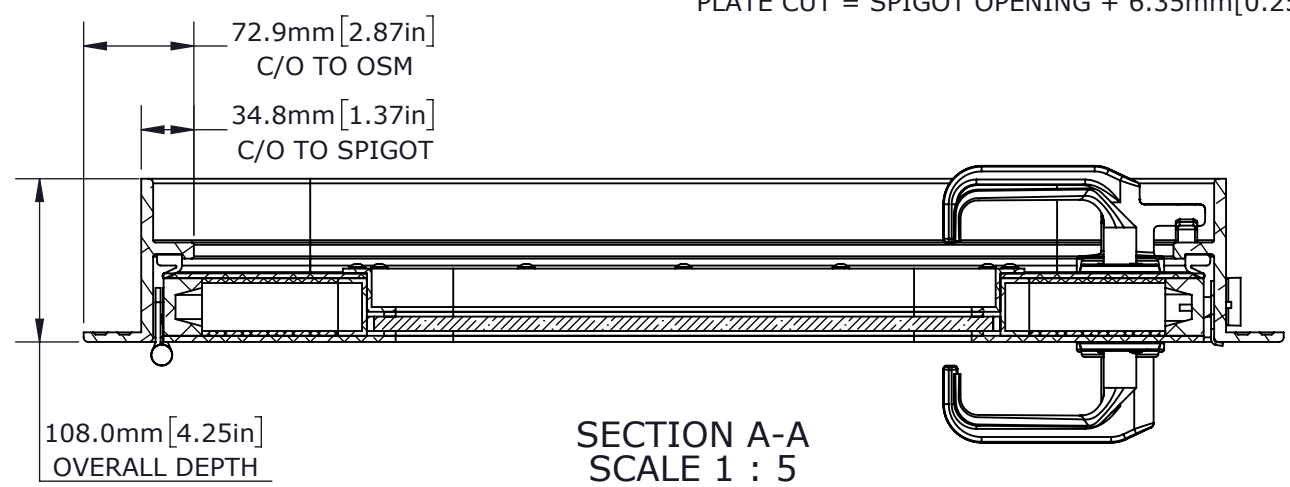


**EXTERIOR VIEW**



**INTERIOR VIEW**

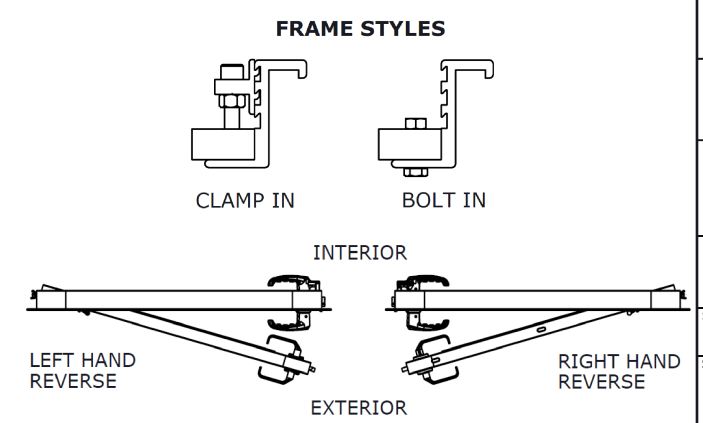
OVERALL = SPIGOT OPENING + 76.2mm[3.00in]  
 CLEAR OPENING = SPIGOT OPENING - 69.6mm[2.74in]  
 PLATE CUT = SPIGOT OPENING + 6.35mm[0.25in]



**SECTION A-A**  
SCALE 1 : 5



**ISOMETRIC VIEW**  
SCALE 1 : 12



OPTIONS	
<b>HANDING</b>	RIGHT HANDED
	LEFT HANDED
<b>LOCK</b>	LOCKING
	NOT LOCKING
<b>LOCK MECHANISM</b>	LOCKSET/HANDLE
	LOCKSET/DEADBOLT
<b>DOG STYLE</b>	PASSAGE SET/HANDLE
	ALUMINIUM
	CONCEALED
	NYLON
<b>WINDOW STYLE</b>	STAINLESS STEEL
	FULL HEIGHT
	HALF HEIGHT
	CIRCULAR
<b>FRAME STYLE</b>	NO PORTLIGHT
	BOLT IN
<b>*CORNER TYPE</b>	CLAMP IN
	MITRED
	ROUND

<b>CUSTOMER</b>	
ADVANTEC	
<b>PROJECT</b>	
1120 PCM SALES DRAWING	
<b>DESCRIPTION</b>	
STANDARD 1120 PCM SERIES MODEL AND DRAWING	
CONTACT	DATE
(604) 607-0091	9/30/2020



DWG TITLE	CAGE CODE
1120 SERIES DOOR	
DESCRIPTION	QTY
Premium Duty, Single Aluminum Panel, Weathertight	

COPYRIGHT 2020 ADVANTEC GLOBAL INNOVATIONS. ALL RIGHTS RESERVED. CONFIDENTIAL PROPERTY OF ADVANTEC GLOBAL INNOVATIONS. UNAUTHORIZED USE, REPRODUCTION OR DISTRIBUTION IS STRICTLY PROHIBITED. COPIES REMAIN THE PROPERTY OF ADVANTEC GLOBAL INNOVATIONS AND MUST BE RETURNED UPON REQUEST.

SCALE	DRAWN	DATE	CHECKED	DATE	SIZE
1:12	SP	9/30/2020			B
S.O. NO	DWG NO	SHEET	REV		
	1120-1 PCM Sales	1 of 1	00		