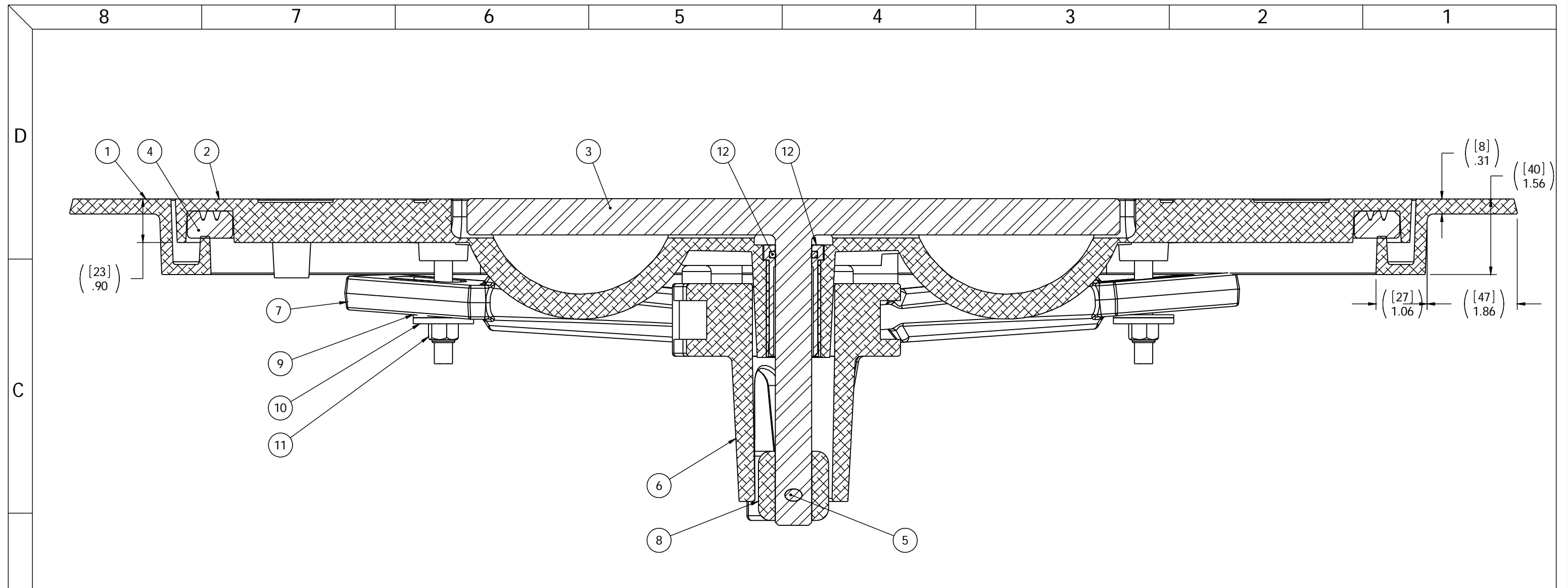


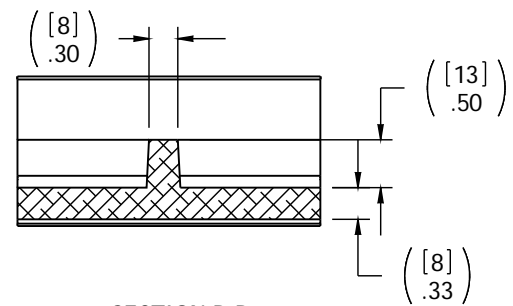
- 10. FOR SPECIFIC INFORMATION CONTACT SALES.
- 9. COMPLETE ASSEMBLY WEIGHT W/ DECK RING, 41.5LBS/ 18.8K.
- 8. DOGGING PRESSURE FULLY ADJUSTABLE.
- 7. HANDLE POSITION TOPSIDE INDICATES WHETHER DOGGING MECHANISM IS IN OPEN OR CLOSED POSITION.
- 6. ALUMINUM ALLOY MECHANISM SHOWN.
- 5. FLUSH, WATERTIGHT CONSTRUCTION.
- 4. INTEGRAL TOPSIDE "T" HANDLE STANDARD, OTHER TOPSIDE ACTUATION AVAILABLE.
- 3. CAST ALUMINUM ALLOY FLANGE. FLANGE CAN BE DRILLED FOR BOLTED INSTALLATIONS OR WELDED TO ALUMINUM.
- 2. QUICK-ACTING, MECHANISM ENGAGES OR DISENGAGES IN QUARTER-TURN OF CENTER SPINDLE.
- 1. 18.1 x 24.0" CLEAR OPENING, ALL DIMENSIONS SHOWN SUBJECT TO CASTING VARIATION AND ARE REFERENCE ONLY.

NOTES: UNLESS OTHERWISE SPECIFIED.

SPECIFICATIONS SUBJECT TO CHANGE WITHOUT NOTICE.		FREEMAN MARINE EQUIPMENT, INC.		28336 HUNTER CREEK ROAD GOLD BEACH, OR 97444 U.S.A. PHONE: 541-247-7078 FAX: 541-247-2114 www.freemanmarine.com	
UNLESS OTHERWISE SPECIFIED DIMENSIONS ARE IN INCHES, TOLERANCES FOR ROUGH AND CLEAR OPENING ± .125 INCH. ALL OTHERS ARE:		CONFIDENTIAL PROPERTY OF FREEMAN MARINE EQUIPMENT, INC. UNAUTHORIZED USE, COPYING OR DISTRIBUTION IS STRICTLY PROHIBITED. POSSESSOR OF THIS DOCUMENT AGREES TO THE FOREGOING AND SHALL RETURN THIS DOCUMENT UPON REQUEST.		CLIENT: FREEMAN MARINE	
PROJECTION		DRAWN: G MACEACHERN DATE: 21APRO8 CHECKED: DATE: ENGR: DATE: DESIGN ACTIVITY: DATE: CONTRACT NO.:		TITLE: HATCH: 1824K, AL COVER, AL RING W/ INTEGRAL TOPSIDE HANDLE	
.X .XX .XXX ANGLES ±.1 ±.03 ±.010 ±2°		SCALE: 1:3		SIZE: D CAGE CODE: 64747 DRAWING NUMBER: 2421-0002 REV: A	
DO NOT SCALE DRAWING		ACT. WT.		SHEET 1 OF 3	



SECTION A-A
SCALE 1 : 1



SECTION B-B
SCALE 1 : 1

ITEM NO.	QTY.	PART NUMBER	DESCRIPTION	MATERIAL
12	1	0031-2058	BUSHING ASSY, W/ O-RING, NO SLEEVE	ACETRON/RUBBER
11	4	0411-2032	LOCKNUT, NYLON INSERT, 3/8-16, 316 S/S	STAINLESS STEEL, 316
10	4	0411-2033	WASHER, .406 X 1.25 X .125, 316 S/S	STAINLESS STEEL, 316
9	4	0413-2005	WASHER, .406 X 1.250 X .062 NYLON	NYLON
8	1	0112-2001	ACTUATOR, AL	ALUMINUM, 535
7	4	0211-2007	DOG, LOCKING ARM	ALUMINUM, 535.2-F
6	1	0011-2002	HUB, AL, 4 HOLE	ALUMINUM, 535.2-F
5	1	0411-2004	PIN, KNURLED, 1/4 X 2-1/4, 316 S/S	STAINLESS STEEL, 316L
4	1	9813-2009	GASKET	NEOPRENE
3	1	0021-2005	HANDLE, S/S, ROUND BAR	STAINLESS STEEL, 316
2	1	2421-3001	COVER: 1824 ALUM, FINISHED CASTING	ALUMINUM, 356
1	1	2421-1002	RING: 1824 ALUM	ALUMINUM, A356.0-F

REV.	DESCRIPTION	DATE	DRAWN
-	INITIAL RELEASE	21APR08	GLM
A	UPDATE GEN NOTES AND B.O.M.	13JUL11	PPC

SPECIFICATIONS SUBJECT TO CHANGE WITHOUT NOTICE.

PROJECTION

UNLESS OTHERWISE SPECIFIED DIMENSIONS ARE IN INCHES, TOLERANCES FOR ROUGH AND CLEAR OPENING ± .125 INCH. ALL OTHERS ARE:

.X .XX .XXX ANGLES
±.1 ±.03 ±.010 ±2°

DO NOT SCALE DRAWING

FREEMAN
MARINE EQUIPMENT, INC.

28336 HUNTER CREEK ROAD
GOLD BEACH, OR 97444 U.S.A.
PHONE: 541-247-7078 FAX: 541-247-2114
www.freemanmarine.com

CONFIDENTIAL PROPERTY OF FREEMAN MARINE EQUIPMENT, INC.
UNAUTHORIZED USE, COPYING OR DISTRIBUTION IS STRICTLY PROHIBITED. POSSESSION OF THIS DOCUMENT AGREES TO THE FOREGOING AND SHALL RETURN THIS DOCUMENT UPON REQUEST.

ALL RIGHTS RESERVED 2004

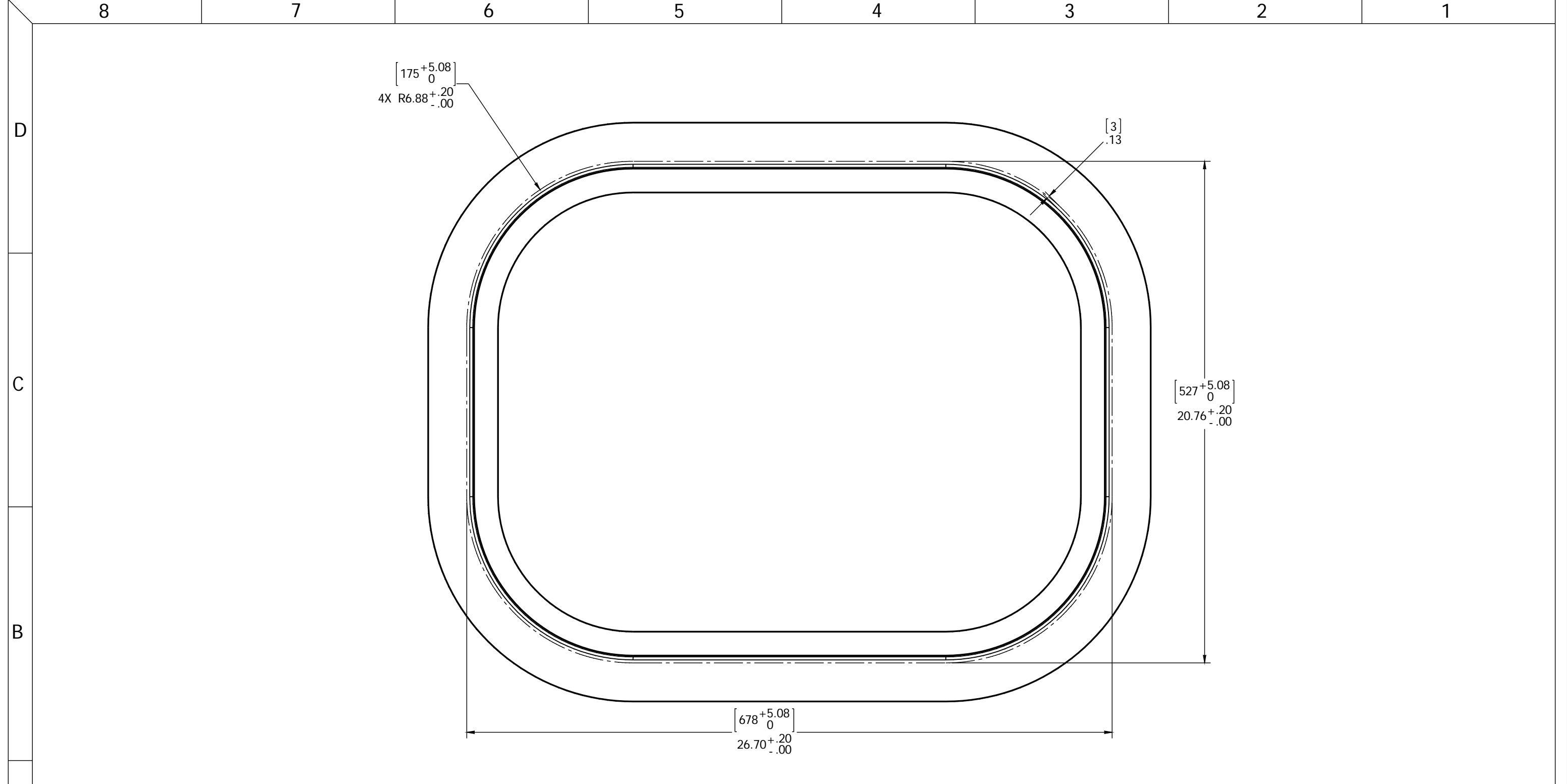
DRAWN: G MACEACHERN DATE: 21APR08
CHECKED: DATE:
ENGR: DATE:
DESIGN ACTIVITY: DATE:
CONTRACT NO.:

CLIENT: FREEMAN MARINE

TITLE: HATCH: 1824K, AL COVER, AL RING
W/ INTEGRAL TOPSIDE HANDLE

SIZE	CAGE CODE	DRAWING NUMBER	REV.
D	64747	2421-0002	A

SCALE: 1:4 CALC. WT. ACT. WT. SHEET 2 OF 3



DECK CUT OUT

- 3. FINISH: 125 RMS MAX.
 - 2. BREAK SHARP EDGES AND DEBURR.
 - 1. MATERIAL: Material <not specified>
- NOTES: UNLESS OTHERWISE SPECIFIED.

CUSTOMER APPROVAL

Signature: _____
 Date: _____

IMPORTANT! THIS DRAWING SUPERSEDES ALL OTHER DOCUMENTS. By signing this approval you accept and agree that the dimensions and details shown are correct and properly fit your application, regardless of any differences between this drawing and any contract specifications. Should you see any errors in the drawing, or have any questions, please contact your Freeman Marine sales engineer for clarification.

REV.	DESCRIPTION	DATE	DRAWN
-	INITIAL RELEASE	21APR08	GLM
A	UPDATE GEN NOTES AND B.O.M.	13JUL11	PPC

SPECIFICATIONS SUBJECT TO CHANGE WITHOUT NOTICE.

PROJECTION

UNLESS OTHERWISE SPECIFIED DIMENSIONS ARE IN INCHES, TOLERANCES FOR ROUGH AND CLEAR OPENING ± .125 INCH. ALL OTHERS ARE:

.X	.XX	.XXX	ANGLES
±.1	±.03	±.010	±2°

DO NOT SCALE DRAWING

 <small>CONFIDENTIAL PROPERTY OF FREEMAN MARINE EQUIPMENT, INC. UNAUTHORIZED USE, REPRODUCTION OR DISTRIBUTION IS STRICTLY PROHIBITED. ALL COPIES REMAIN THE PROPERTY OF FREEMAN MARINE EQUIPMENT, INC. AND MUST BE RETURNED UPON REQUEST. © ALL RIGHTS RESERVED 2012, FREEMAN MARINE EQUIPMENT, INC.</small>		28336 HUNTER CREEK ROAD GOLD BEACH, OR 97444 U.S.A. PHONE: 541-247-7078 FAX: 541-247-2114 www.freemanmarine.com	
		CLIENT: FREEMAN MARINE	
DRAWN: G MACEACHERN DATE: 21APR08		TITLE: HATCH: 1824K, AL COVER, AL RING W/ INTEGRAL TOPSIDE HANDLE	
CHECKED: _____ DATE: _____		SIZE: D	CAGE CODE: 64747
ENGR: _____ DATE: _____		DRAWING NUMBER: 2421-0002	REV: A
DESIGN ACTIVITY: _____ DATE: _____		SCALE: 1:4	ACT. WT. SHEET 3 OF 3