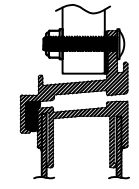
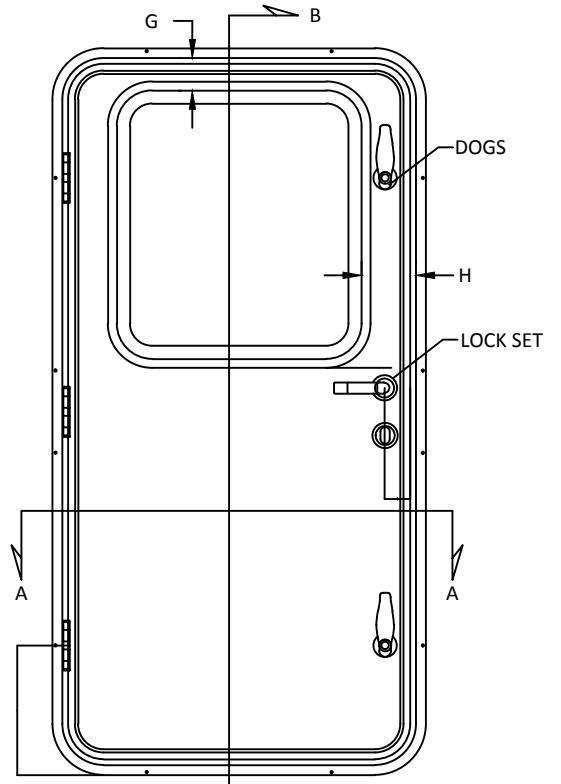
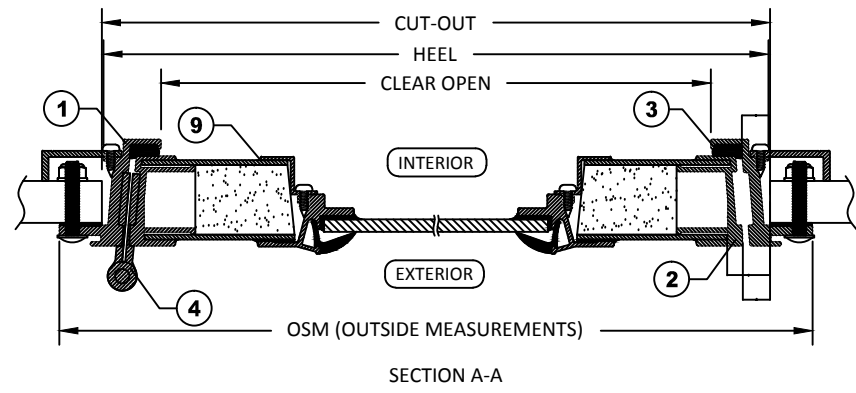


ITEMS			
ID	DESCRIPTION	MATERIAL	PART NUMBER
1	MOUNTING FRAME	6063 ALUMINUM	D11441
2	INSERT	6063 ALUMINUM	D11428
3	GASKET	EPDM GASKET	D10851
4	HINGE	STAINLESS STEEL HINGE	D11207
5	DOOR WINDOW	OPTIONAL	
6	INSERT PANEL	1/16" ALUMINUM	D11354
7	BEDDING COMPOUND		
8	TRIM RING	6063 ALUMINUM	
9	SEALANT	SILICONE	D11441
10	INSULATION	1 5/16" KOROLITE	D11482

STANDARD DIMENSIONS		
ID	DESCRIPTION	DIMENSION
A	FLANGE COVERAGE	21mm (13/16")
B	EXTERIOR PROTRUSION	10mm (3/8")
C	INTERIOR PROTRUSION	41mm (1 5/8")
D	SPIGOT TO CLEAR VIEW	28mm (1 1/8")
E	FLANGE THICKNESS	5mm (3/16")
F	INSERT THICKNESS	38mm (1 1/2")
G	MIN WINDOW TO DOOR CUT OUT	70mm (2 3/4")
H	STANDARD WINDOW TO DOOR CUT OUT	117mm (4 5/8")



OPTIONAL BOLT-ON INSTALLATION

NOTES:
 -GENERAL HEEL TOLERANCE +0/-1/4" OVERALL
 -AVAILABLE WITH 3 1/2"(90mm) RADIUS OR MITERED CORNERS
 -STANDARD MOUNTING HOLES ARE 1/4" WITH #18 COUNTERSUNK ON 16" NOMINAL CENTERS

DRAWING NUMBER		150
SCALE	BY	
NTS	LD	

DIAMOND SEA GLAZE MANUFACTURING LTD.
 26995 GLOUCESTER WAY, LANGLEY B.C.
 CANADA V4W 3Y3
 TOLL FREE: 1-800-770-0455
 PHONE: 604-607-0091
 FAX: 604-607-0092



ITEM NAME	150	REVISION	2
-----------	-----	----------	---

ALL DRAWINGS AND ANY ASSOCIATED INFORMATION HEREON CONTAIN PROPRIETARY AND/OR CONFIDENTIAL INFORMATION, AND SHALL NOT BE REPRODUCED, DISCLOSED OR SUBMITTED TO ANY THIRD PARTY WITHOUT PRIOR CONSENT FROM DIAMOND SEA GLAZE MANUFACTURING LTD.

ITEM DESCRIPTION
 HINGED OPENING DOOR